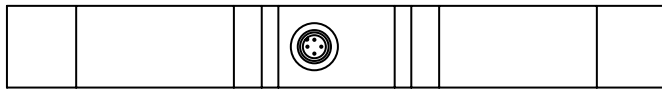
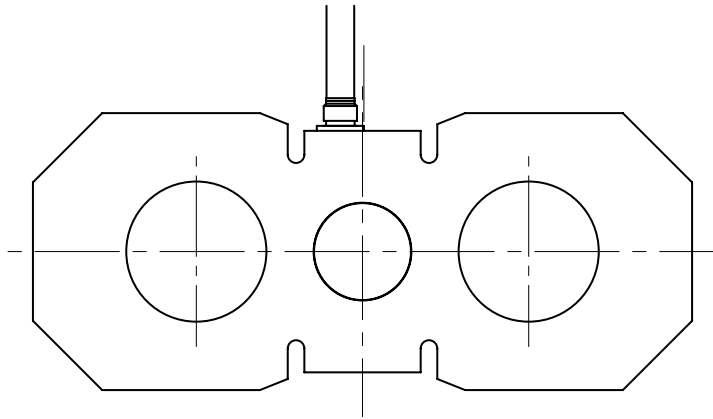


尺寸及量程 / Size and Capacity



注：可根据客户需求定制产品。
Note: Dimensions acc customer requirement.

量程 /Capacity (t)	材料 /Material
0.1~200	不锈钢 / Stainless steel

技术参数 / Technical Parameters

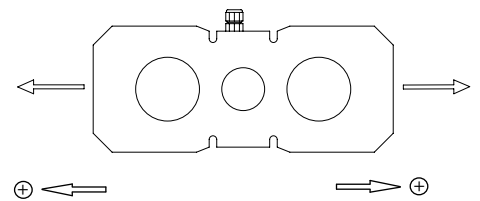
参数	Specifications	技术指标/Technique
输出灵敏度	Rated output	4~20mA (三线/three wires) 0~10V (可选/Option)
零点输出	Zero balance	± 1% F.S.
非线性	Non-linearity	0.5% F.S.
滞后	Hysteresis	0.2% F.S.
重复性	Repeatability	0.1% F.S.
蠕变 (30分钟)	Creep(30min)	0.05% F.S.
温度灵敏度漂移	Temp. effect on output	0.05% F.S. / 10°C
零点温度漂移	Temp. effect on zero	0.05% F.S. / 10°C
输入电阻	Input impedance	405 ± 10 Ω
输出电阻	Output impedance	350 ± 5 Ω
绝缘电阻	Insulation	≥5000M Ω / 100VDC
激励电压	Recommended excitation	24VDC
最大激励电压	Maximum excitation	12~36VDC
温度补偿范围	Compensated temp. range	-10 ~ 60 °C
工作温度范围	Operation temp. range	-20 ~ 80 °C
安全超载	Safe overload	120% F.S.
极限超载	Ultimate overload	150% F.S.
电缆线尺寸	Cable size	2000mm(Cable with 4 pins plug)
防护等级	Protection class	IP67
连接方式	Cable color code	M12*1-4P



特点和用途 / Features & Applications

- 不锈钢材料
- 精度高，容易安装
- 替代原来的拉链，经济实惠
- 形状尺寸可定制，IP67
- 应用于起重机、吊钩秤、各类吊机
- Made of stainless steel
- High accuracy, easy to install
- Affordable replacement of original tension links to gain overload protection
- Customized size and shape possible, IP67 protection
- Used for various kinds of crane and hook scales

受力方式 / Load Direction



接线图 / Schematic Wiring Diagram

